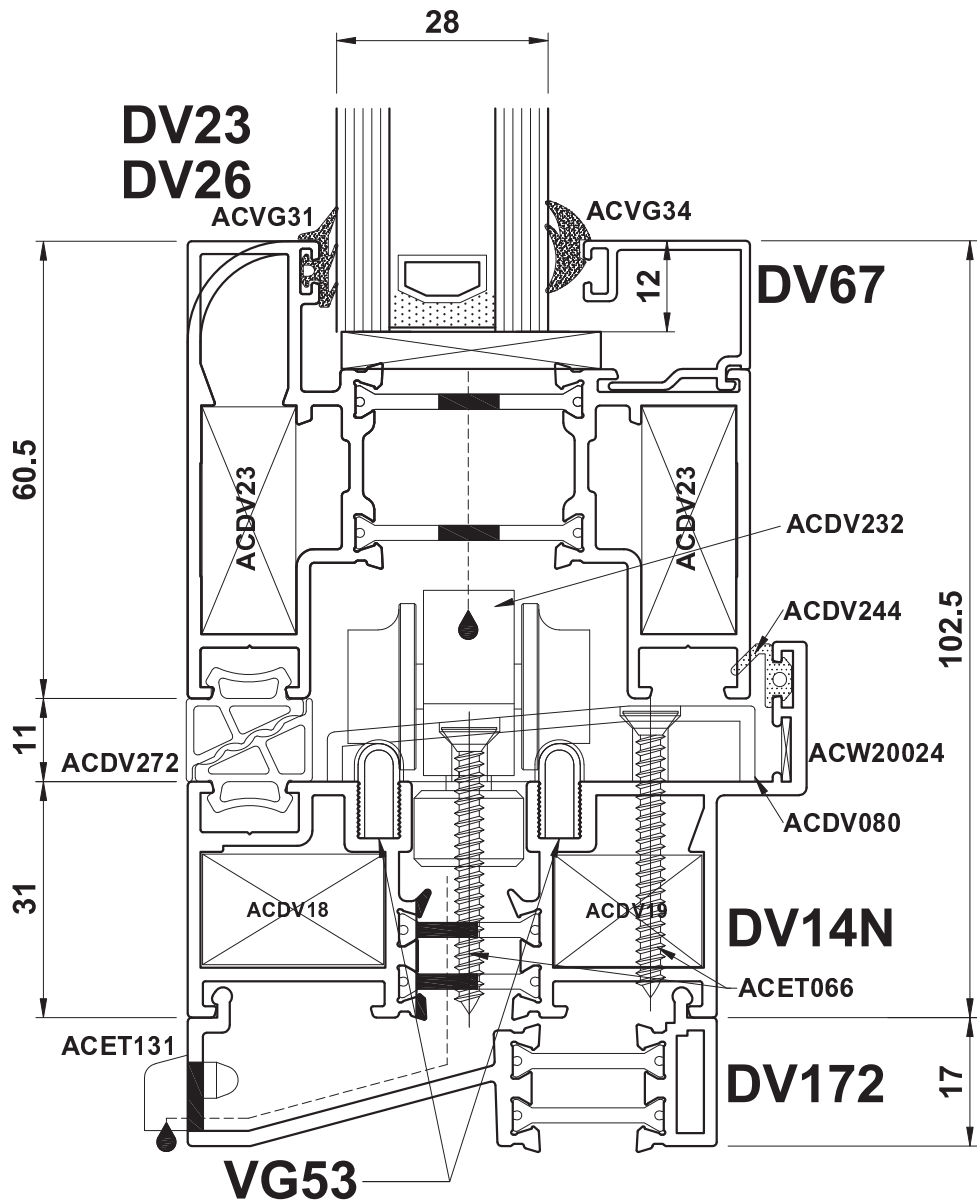
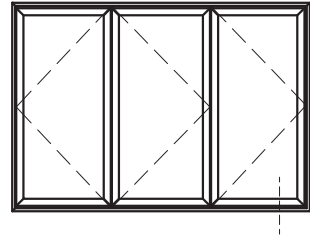
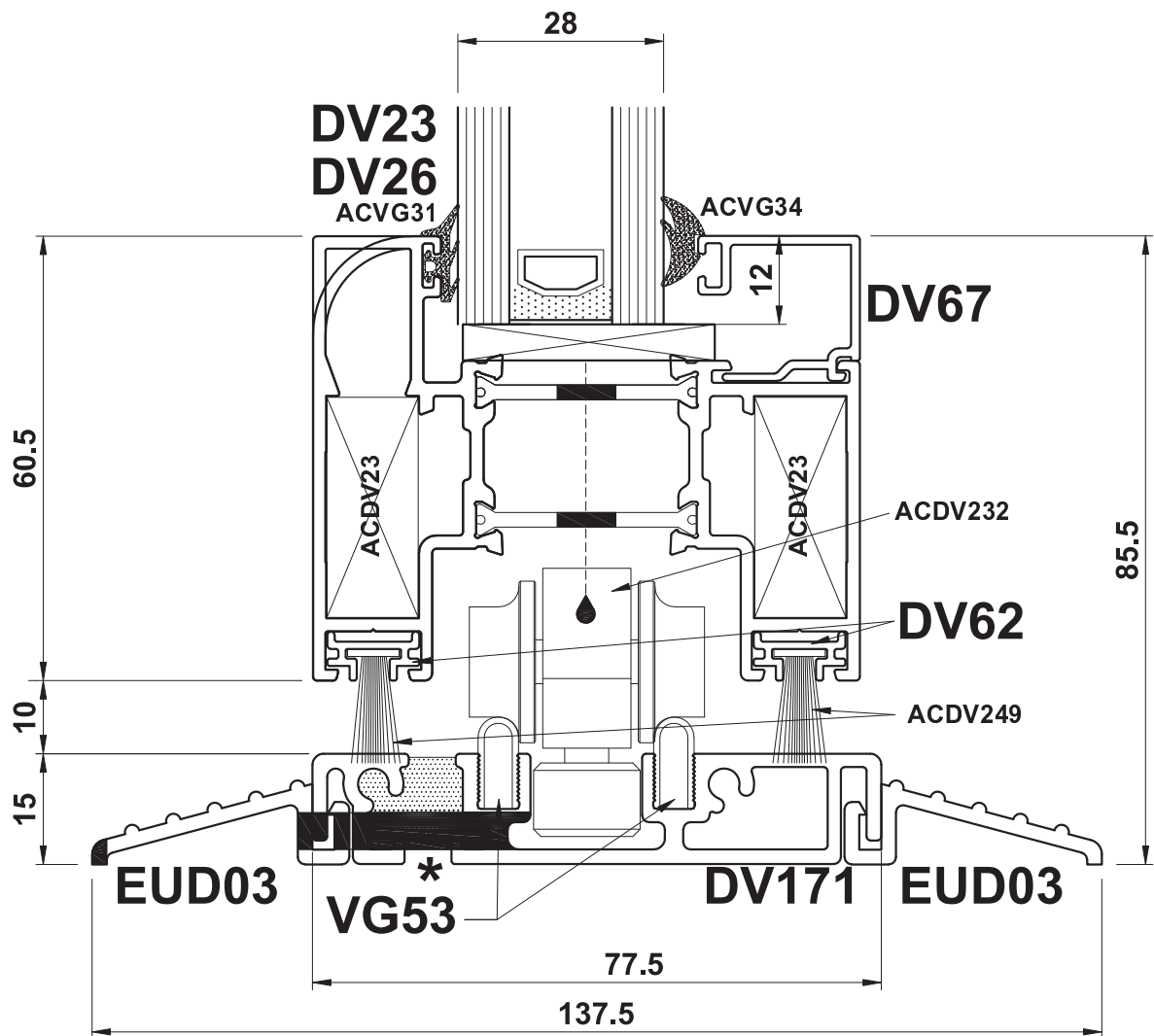
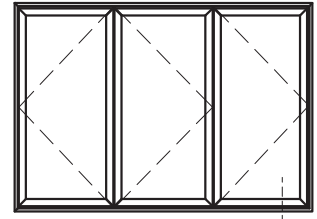


Open Out - Detail 5A



Do Not Scale From This Drawing

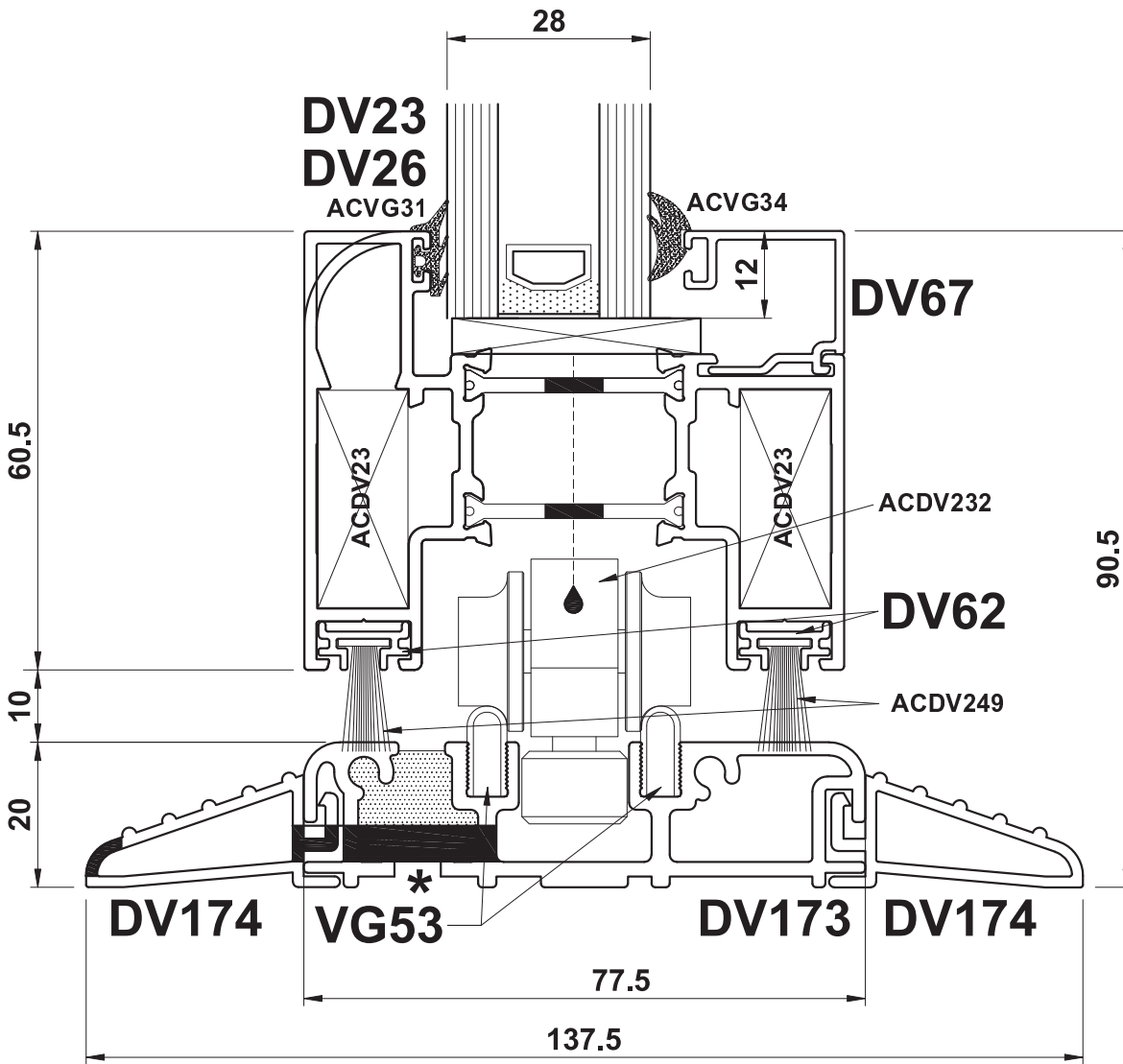
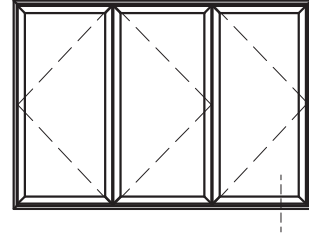
Open Out - Detail 5B



* Cut in small block & seal to prevent seepage through any gap in resin.

Do Not Scale From This Drawing

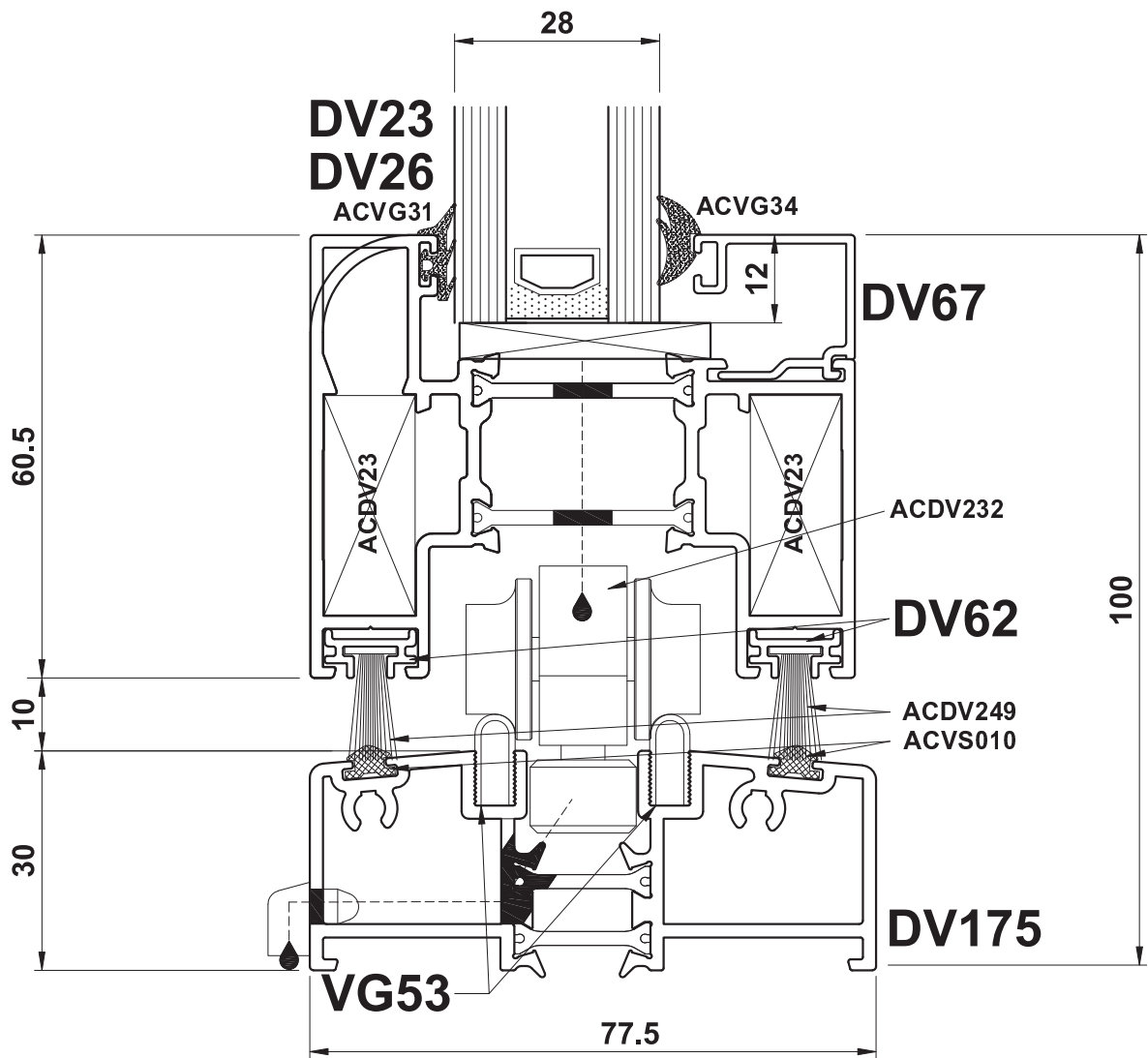
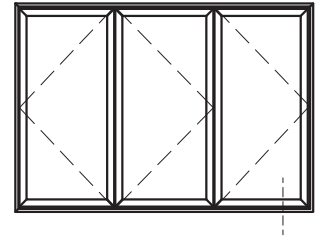
Open Out - Detail 5C



* Cut in small block & seal to prevent seepage through any gap in resin.

Do Not Scale From This Drawing

Open Out - Detail 5D



Do Not Scale From This Drawing